

# ASSEMBLY INSTRUCTIONS

## FOR YOUR

### POTTY BUDDIES

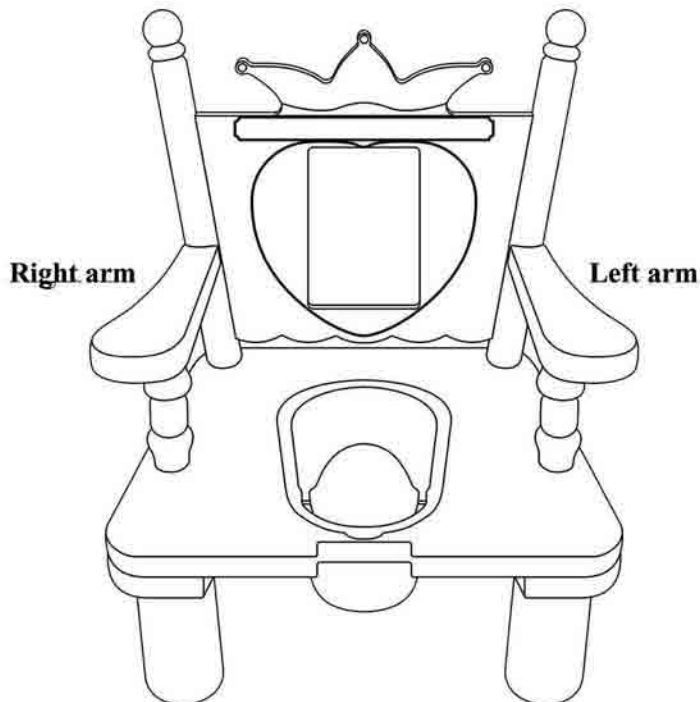
Thank you for your purchase of the potty buddies . We know that it will bring you and your little one years of enjoyment. **PLEASE READ ALL INSTRUCTIONS THOROUGHLY BEFORE BEGINNING ASSEMBLY.**

#### General Safety Instructions:

- Your potty buddies are safety tested for 18-96 months.
- However, it is recommended that caution be used at all times.
- Chairs are recommended for children up to 50lbs.
- Must be assembled by an adult. Do not leave any spare parts near children.**

#### What tools will you need?

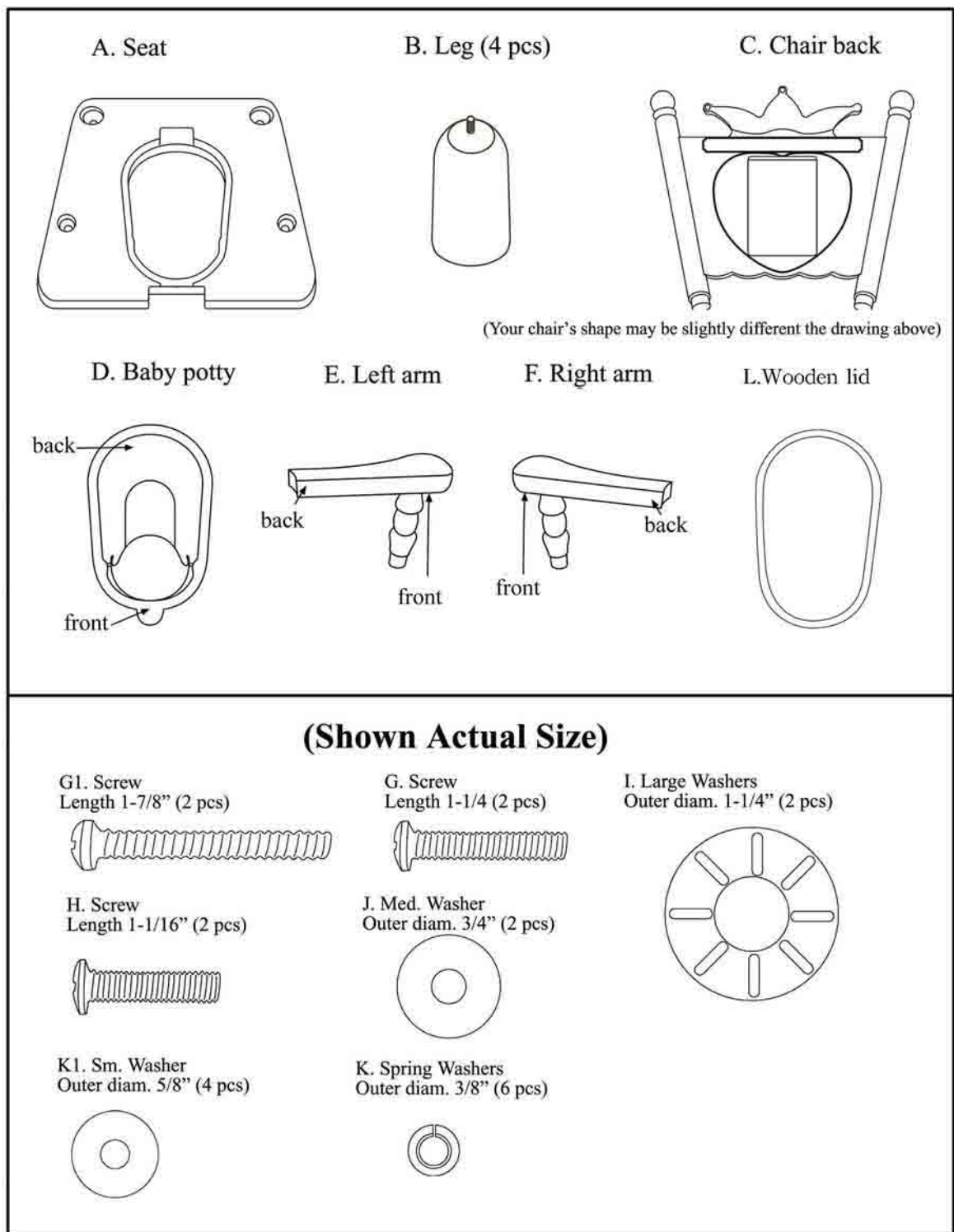
- Standard Philips head screwdriver. CAUTION: It is highly recommended that you not use power tools or electric screwdrivers as screws should not be over-tightened. Power/electric tools may strip either the screw or the receiving end of the screw.



(Your chair's shape may be slightly different from the drawing above)

#### **⚠ WARNING:**

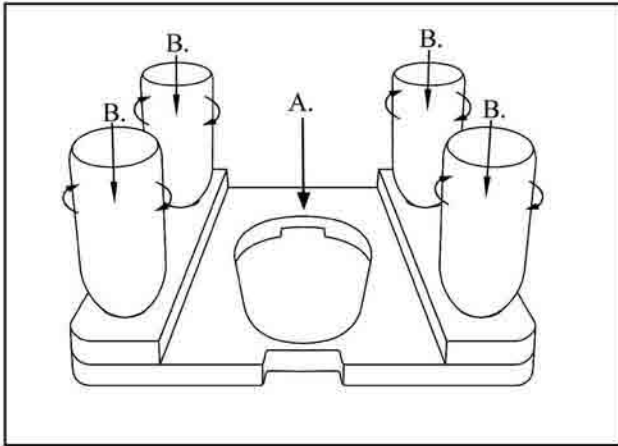
Products shall be assembled by adult. Product contains sharp point, sharp edge and small parts before assembled. Keep out of child's reach when products unassembled.



To save time, we suggest that you organize and pre-assemble in the sequence shown in the Fig. Drawings all of the screws and their washers. (i.e. for Fig 2 put the K Spring washer, J Med washer and I Large washer onto the G screw. Do this in advance of each step.)

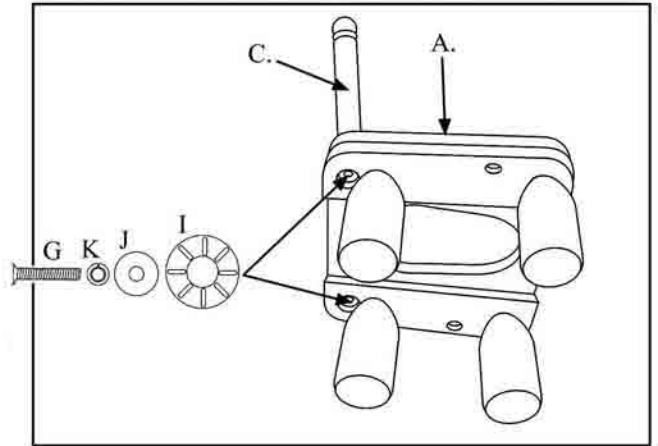
**Fig. 1 Attach Legs (B) to Seat (A)**

- Set the Seat (A) upside down on a soft surface to avoid scratching.
- Thread each chair legs (B) directly into the hole on each corner of the Seat (A) and tighten them securely.



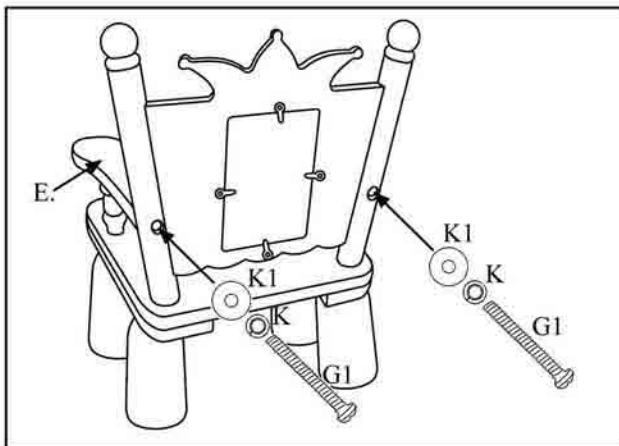
**Fig. 2 Attach Chair back (C) to Seat (A)**

- Turn seat assembly over with legs securely on the floor.
- Insert the Chair back (C) posts into the seat assembly through the pre-drilled holes of Seat (A)
- Insert screw (G) through Spring washer (K), Medium washer (J), and Large washer (I) as shown in fig. Then, insert screw into the hole on the bottom of the Seat (A)
- Secure screws with philips head screwdriver until tight.



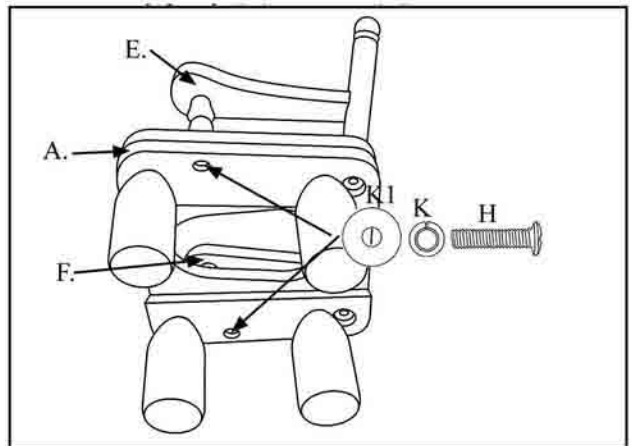
**Fig. 3 Attach Arm rests (E, F) to chair back (C) posts**

- Insert screw (G1) through Spring washer (K) and Sm. Washer (K1) as shown in fig. and secure them into the hole on chair back (C) posts with Philips head screwdriver until tight.
- Repeat process for both arms



**Fig. 4 Attach Arm rests (E, F) to Seat (A)**

- Insert screw (H) through Spring washer (K) and Sm. washer (K1) as shown in fig. and secure them into the hole on the bottom of Seat (A) with Philips head screwdriver until tight.
- Repeat process for both arm rests.
- Place Baby potty (D) on Seat (A)



### Use of Optional Potty Chair Wooden Lid

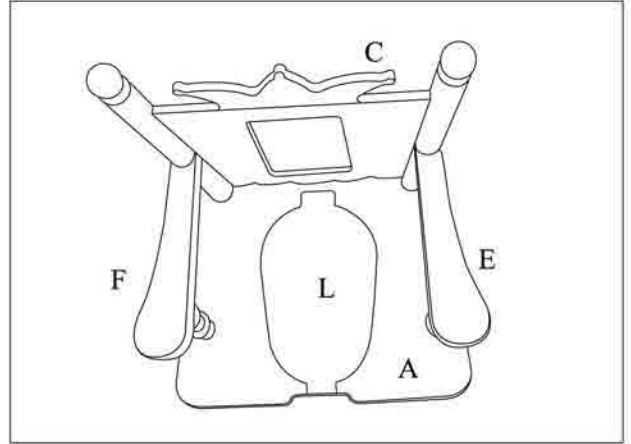
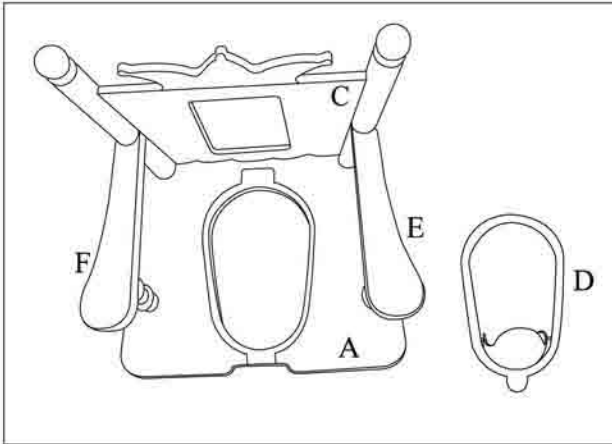
We have included an optional wooden lid so that when your Potty Buddy is not being used as a potty training chair, it can be used as a regular chair for your child:

**Fig.5**

-When you wish to use the Wooden lid (L), please first remove the Plastic Baby potty (D) and store it in a safe place.

**Fig.6**

-After Baby potty (D) is removed, place the Wooden lid (L) over the hole that contains the Baby potty. It should fit tightly.



Please visit our website and discover all our other innovative and fun products for kids at:

[www.levelsofdiscovery.com](http://www.levelsofdiscovery.com)

Potty Buddies

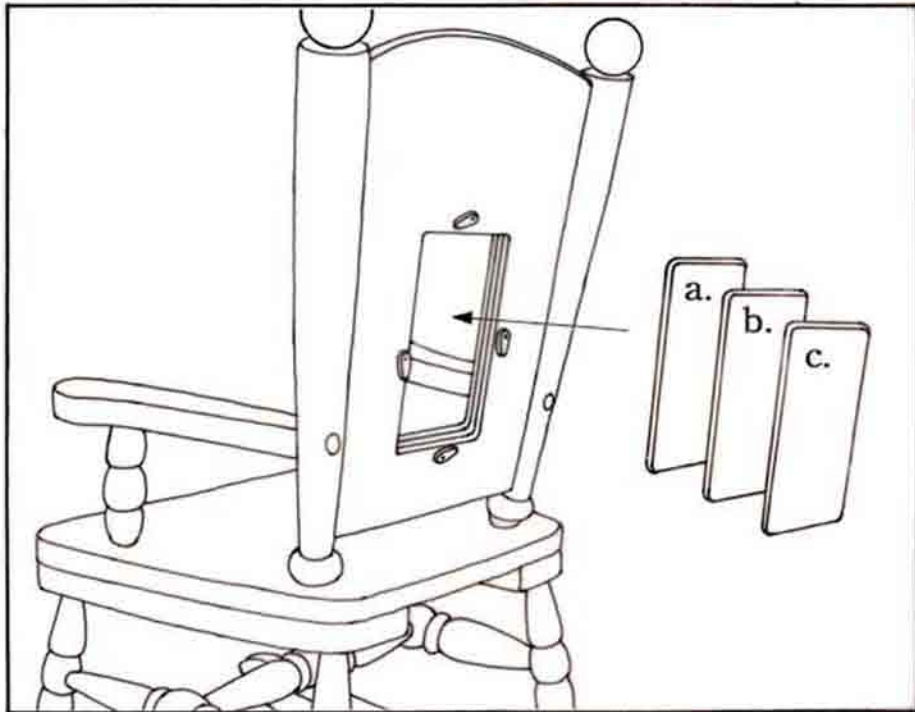
©2004 Levels of Discovery LLC

Roselle, Illinois 60172

Made in China

Printed in china

## Extra instructions for photo frame



(Your chair's shape may be slightly different from the drawing above)

- Rotate the four picture frame holders and remove the wooden backer (c).
- Remove the included photo (b) and use this as a template to crop your own photo to the correct size.
- Insert your own properly sized photo and wooden backer. Then rotate the picture frame holders to lock the backer into place.

Note: a. Clear Acetate Cover    b. Included Photo  
      c. Wooden Backer